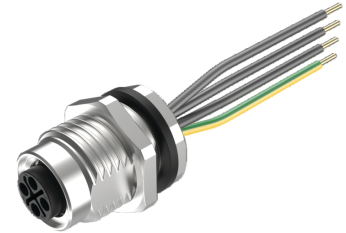
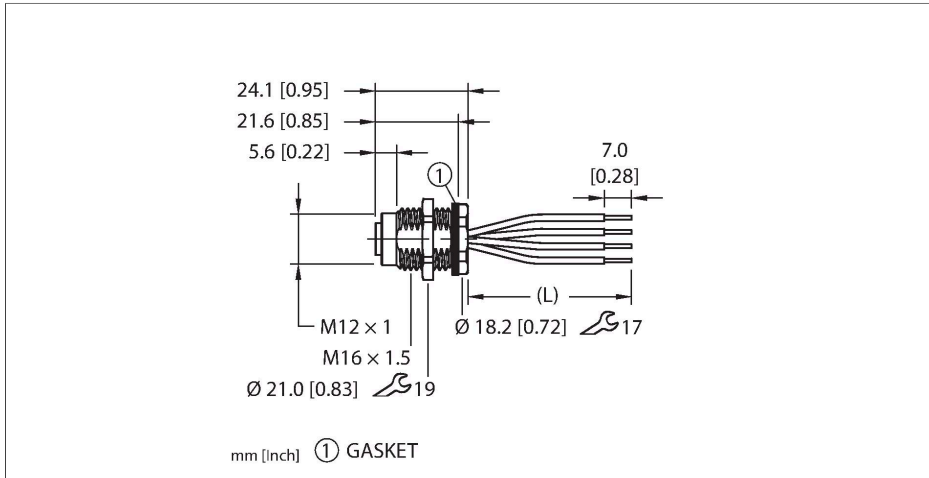


# FKFD46PS-1/M16

## M12 Power Receptacle – Rear Mount



### Technische Daten

Type	FKFD46PS-1/M16
ID	U2-28513
Connector A	Female, M12 × 1, S-code
Design specification	Acc. to IEC 61076-2-111
Number of contacts	3+PE
Contacts	Brass, CuZn, Gold-plated
Contact carriers	Plastic, PA, Black
Connector seal	O-ring, Plastic, FKM/FPM
Housing material/finish	Brass, CuZn, Nickel-plated
Tightening torque (range)	0.4 ... 1 Nm (note max. torque of mating connector!)
Mounting orientation	Rear mount
Panel seal	Gasket, Rubber, NBR
Mounting thread	M16 × 1.5
Locknut	Brass, CuZn, Nickel-plated
Receptacle mounting torque	2.5...7.3 Nm
Mechanical life	> 100 Mating cycles
Pollution degree	3
Protection class (When coupled)	IP67, IP68 NEMA: 1, 3, 4, 6P
<b>Conductor data</b>	
Total number of conductors	4
Length (L)	1 m, (+50mm or 4% of length/-0.0, Whichever is greater)

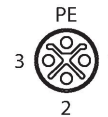
### Features



- M12 female connector, S-coded, 3-pin + PE
- Mounting thread: M16 x 1.5

### Contact assignment

Connector A



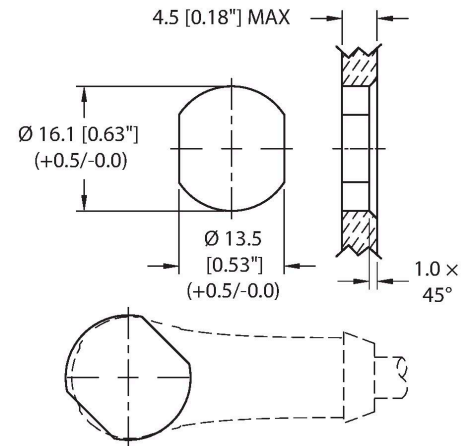
### Circuit Diagram



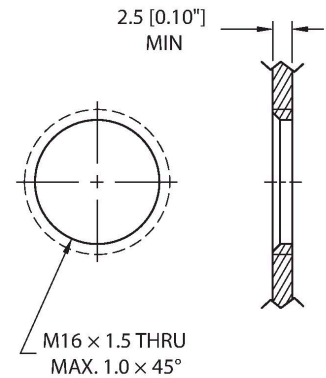
## Technische Daten

Conductor material	TC (tinned copper)
Conductor insulation material	PVC
Conductor size	4 x 16 AWG [Similar to 1.50 mm <sup>2</sup> ]
Conductor colors	BK1, BK2, BK3, GNYE
<b>Electrical properties at +20 °C</b>	
Rated voltage	600 V
Current	12 A
<b>Mechanical and chemical properties</b>	
Ambient temperature range (static)	-40...+85 °C
Approvals	cULus recognized
<b>Note</b>	
- CAUTION: RISK OF ELECTRICAL SHOCK. DO NOT DISCONNECT UNDER LOAD.	
- We reserve the right to make technical alterations without prior notice.	

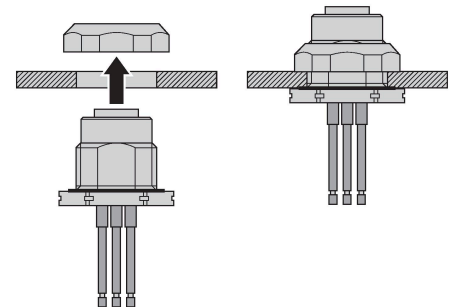
### Mounting hole - Through



### Mounting hole - Threaded



### Rear-mounted

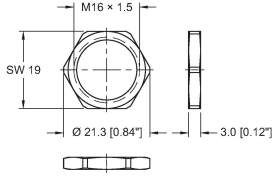


Montagezubehör

**LOCKNUT-M16-BRASS-(10/BAG)**

**A9579**

Locknut, M16, Brass, Nickel-plated, 10 per bag



**DECAL,9-CLRS,RECEPT+BOXES,EURO(QTY1)**

**100008955**



1 decal sticker containing 9 different color sets of 11 decals to color code a sensor, junction block port, cable end, or receptacle. 5ct 4x9mm rectangles, 4ct 8x19mm rectangles, 1ct 27mm ID ring, 1ct 20mm ID ring.

